

9/14/2021 10:30 AM
s:\projects\crof\l\bc-21-0805 - fbc-submittal\116082-series 20 single hung window - f116080 - f30848 - f128821-series 30 picture window - f128797, f128822.dwg\130848 - style 22 horizontal sliding window.crf023 2021-09-14.dwg

CROFT, LLC.

STYLE 22 HORIZONTAL SLIDING WINDOW (NON-HVHZ)(NON-IMPACT)



P.O. BOX 826
MCCOMB, MS 39649
PH.: 601-684-6121 FX: 601-783-3188

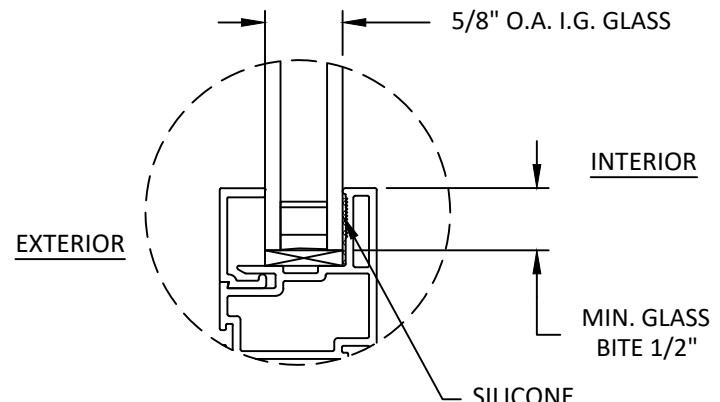
PREPARED BY:
BUILDING DROPS, INC.
398 E. DANIA BEACH BLVD., STE. 338
DANIA BEACH, FL 33004
PH: (954)399-8478
FAX: (954)744-4738
WEB: www.buildingdrops.com



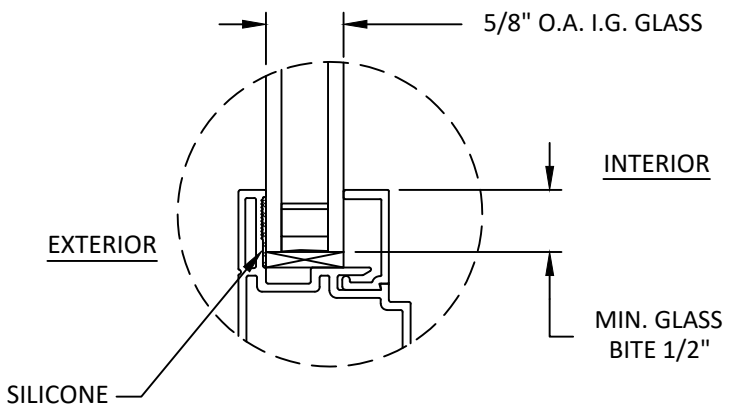
TITLE: **STYLE 22 HORIZONTAL SLIDING WINDOW (NON-HVHZ)(NON-IMPACT)**
GENERAL NOTES & GLAZING DETAILS

GENERAL NOTES:

- THE PRODUCT SHOWN HEREIN IS DESIGNED AND MANUFACTURED TO COMPLY WITH THE CURRENT EDITION FLORIDA BUILDING CODE (FBC), EXCLUDING HVHZ AND HAS BEEN EVALUATED ACCORDING TO THE FOLLOWING:
 - AAMA/WDMA/CSA 101/I.S.2/A440-11/17
- ADEQUACY OF THE EXISTING STRUCTURAL CONCRETE/MASONRY, 2X FRAMING, AND METAL FRAMING AS A MAIN WIND FORCE RESISTING SYSTEM CAPABLE OF WITHSTANDING AND TRANSFERRING APPLIED PRODUCT LOADS TO THE FOUNDATION IS THE RESPONSIBILITY OF THE ENGINEER OR ARCHITECT OF RECORD FOR THE PROJECT OF INSTALLATION.
- 1X AND 2X BUCKS (WHEN USED) SHALL BE DESIGNED AND ANCHORED TO PROPERLY TRANSFER ALL LOADS TO THE STRUCTURE. BUCK DESIGN AND INSTALLATION IS THE RESPONSIBILITY OF THE ENGINEER OR ARCHITECT OF RECORD FOR THE PROJECT OF INSTALLATION.
- THE INSTALLATION DETAILS DESCRIBED HEREIN ARE GENERIC AND MAY NOT REFLECT ACTUAL CONDITIONS FOR A SPECIFIC SITE. IF SITE CONDITIONS CAUSE INSTALLATION TO DEVIATE FROM THE REQUIREMENTS DETAILED HEREIN, A LICENSED ENGINEER OR ARCHITECT SHALL PREPARE SITE SPECIFIC DOCUMENTS FOR USE WITH THIS DOCUMENT IN NON-HVHZ AREAS.
- APPROVED IMPACT PROTECTIVE SYSTEM **IS REQUIRED** ON THIS PRODUCT IN AREAS REQUIRING IMPACT RESISTANCE.
- WINDOW FRAME MATERIAL: PVC
- GLASS SHALL MEET THE REQUIREMENTS OF ASTM E 1300. SEE SHEET 1 FOR GLAZING DETAILS.
- DESIGNATIONS "X" AND "O" STAND FOR THE FOLLOWING:
X: OPERABLE SASH
O: FIXED LITE



**GLAZING DETAIL 1
OPERABLE SASH**



**GLAZING DETAIL 2
FIXED LITE**

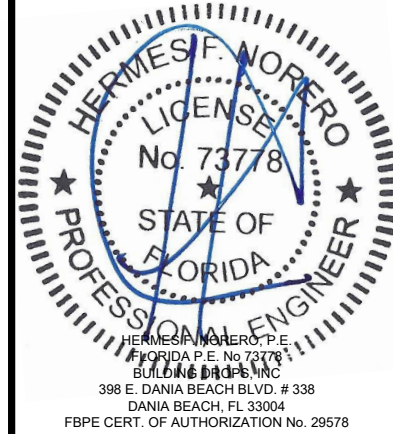
- GLAZING NOTES:**
- GLASS TYPE & THICKNESS SHALL COMPLY WITH ASTM E1300 REQUIREMENTS AS WELL AS APPLICABLE SAFETY GLAZING REQUIREMENTS PER THE FBC. TEMPER AND SAFETY GLAZING REQUIREMENTS SHALL BE REVIEWED ON A SITE SPECIFIC BASIS.
 - SETTING BLOCK DUROMETER HARDNESS OF 70-90 (SHORE A) AS REFERENCED IN FBC CHAPTER 24.
 - SETTING BLOCKS TO BE LOCATED AT 1/4 SPAN LENGTH FOR GLASS WIDER THAN 36" AS PER FBC CHAPTER 24.
 - DESIGN PRESSURES MAY NOT EXCEED MAX VALUES IN DESIGN PRESSURE TABLE ON SHEET 1.

TABLE OF CONTENTS	
SHEET	SECTION DESCRIPTION
1	GENERAL NOTES & GLAZING DETAILS
2	ELEVATIONS AND ANCHOR LAYOUTS
3	VERTICAL SECTIONS
4	HORIZONTAL SECTIONS
5	ANCHOR DETAILS, REINFORCEMENT DETAILS & INSTALLATION NOTES

MAX. OVERALL SIZE		CONFIG.	DESIGN PRESSURE	MISSILE IMPACT RATING
WIDTH	HEIGHT			
95.0"	53.0"	XOX	+35.0 /- 35.0 PSF	NON-IMPACT
60.0"	60.0"	OX	+25.0 /- 25.0 PSF	

REMARKS	BY	DATE
NEW TESTING	AC	5/21
NEW CERTIFICATE	AC	8/21

THE INSTALLATION DETAILS DESCRIBED HEREIN ARE GENERIC AND MAY NOT REFLECT ACTUAL CONDITIONS FOR A SPECIFIC SITE. IF SITE CONDITIONS CAUSE INSTALLATION TO DEVIATE FROM THE REQUIREMENTS DETAILED HEREIN, A LICENSED ENGINEER OR ARCHITECT SHALL PREPARE SITE SPECIFIC DOCUMENTS FOR USE WITH THIS DOCUMENT.



FL #:
FL30848

DATE: **10.25.19**

DWG. BY: **RV** | CHK. BY: **HFN**

SCALE: **NTS**

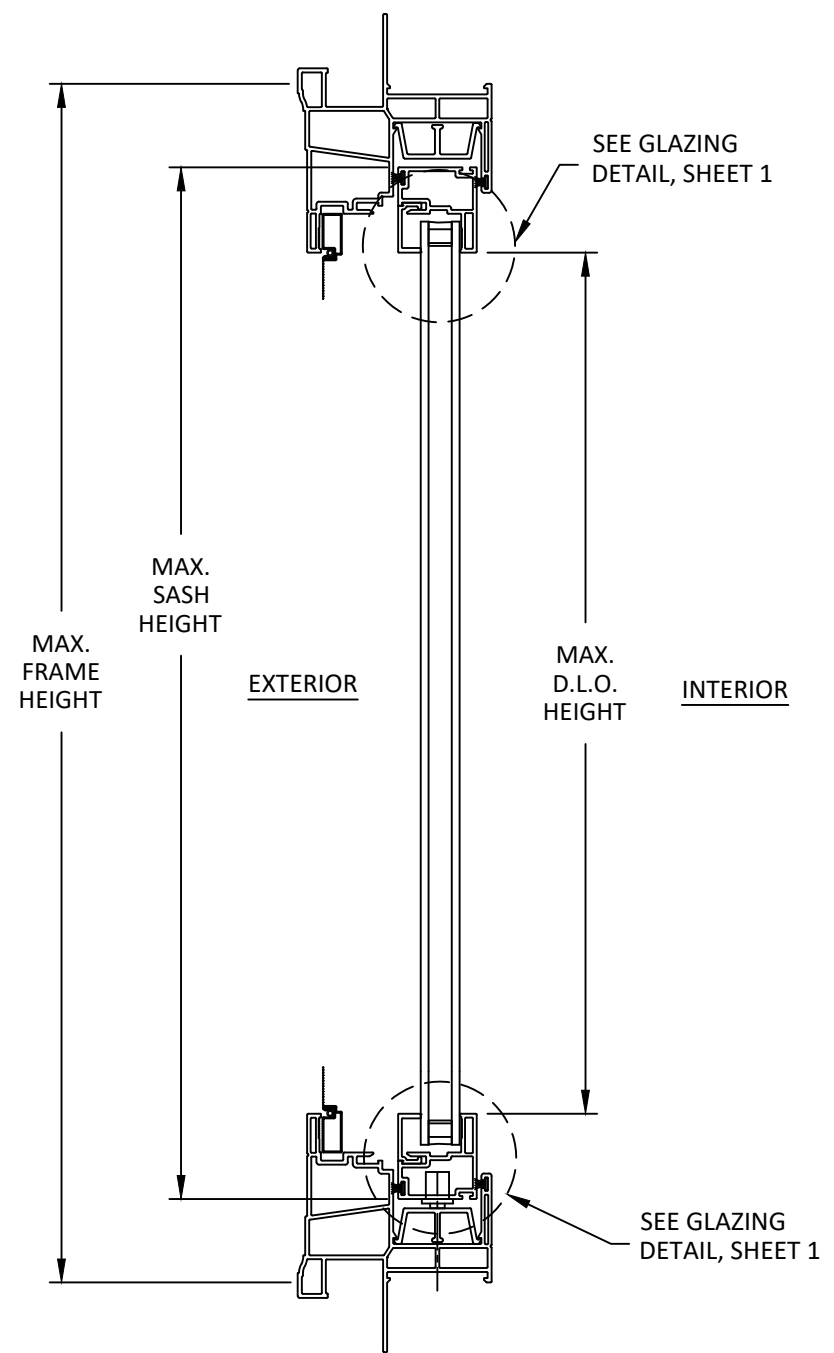
DWG. #: **CRF023**

SHEET
1
OF 5

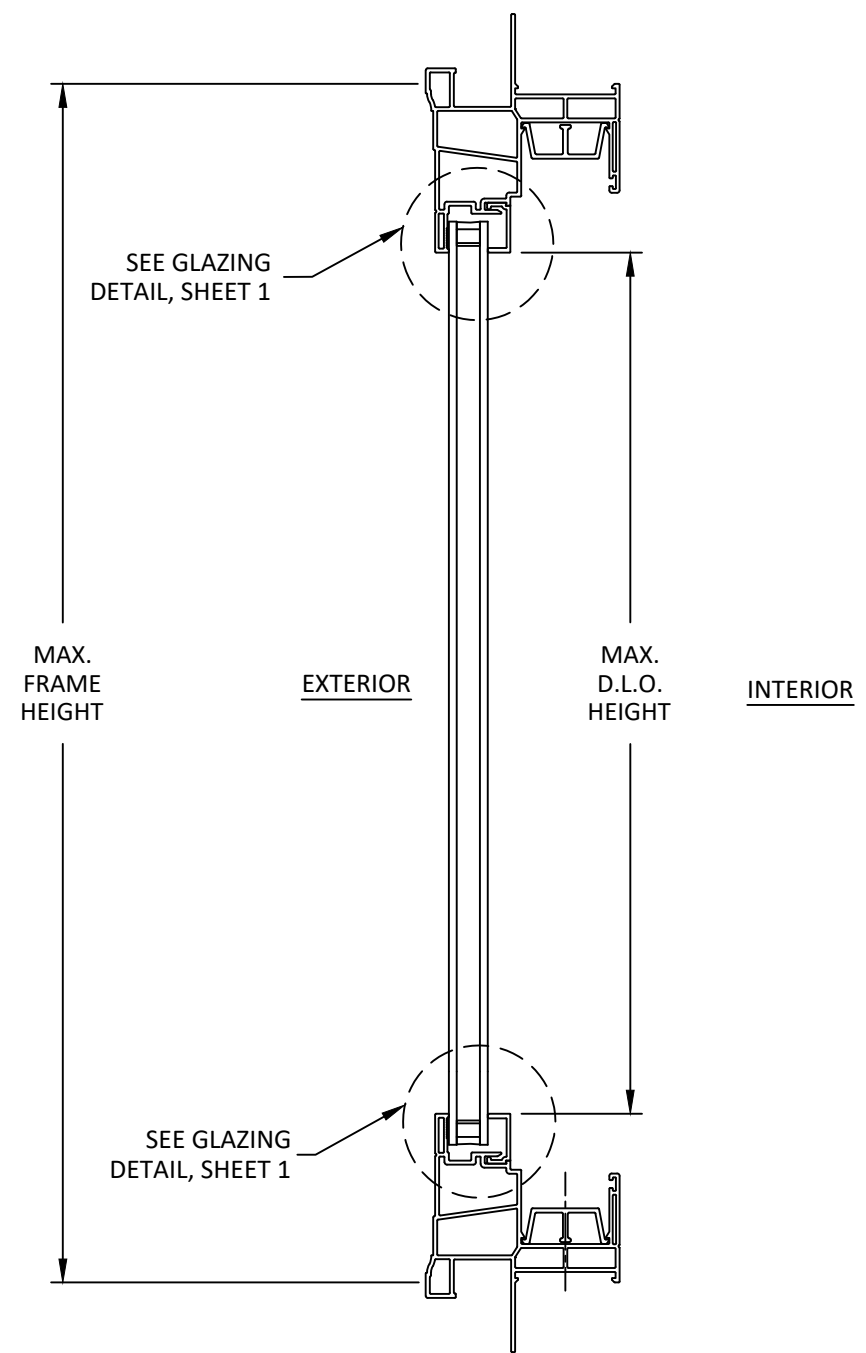
s:\projects\croft\lbc\lbc-21-0805 - fbc submittal\116082 series 20 single hung window_116080_116081_116082 series 30 picture window_128797_128821 series 30 picture window_128797_128822.dwg - style 22 horizontal sliding window\crf023 2021-09-14.dwg



P.O. BOX 826
MCCOMB, MS 39649
PH.: 601-684-6121 FX: 601-783-3188



A
3 **VERTICAL SECTION**
NAIL FIN INSTALLATION - OPERABLE SASH



B
3 **VERTICAL SECTION**
NAIL FIN INSTALLATION - FIXED LITE

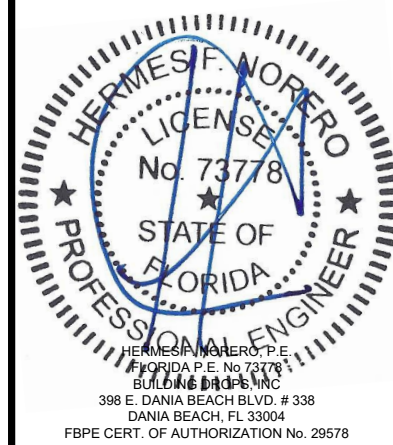
TITLE: **STYLE 22 HORIZONTAL SLIDING WINDOW (NON-HVHZ)/(NON-IMPACT)**
VERTICAL SECTIONS

PREPARED BY: **BUILDING DROPS, INC.**
398 E. DANIA BEACH BLVD., STE. 338
DANIA BEACH, FL 33004
PH: (954)399-8478
FAX: (954)744-4738
WEB: www.buildingdrops.com



REMARKS	BY	DATE
NEW TESTING	AC	5/21
NEW CERTIFICATE	AC	8/21

THE INSTALLATION DETAILS DESCRIBED HEREIN ARE GENERIC AND MAY NOT REFLECT ACTUAL CONDITIONS FOR A SPECIFIC SITE. IF SITE CONDITIONS CAUSE INSTALLATION TO DEVIATE FROM THE REQUIREMENTS DETAILED HEREIN, A LICENSED ENGINEER OR ARCHITECT SHALL PREPARE SITE SPECIFIC DOCUMENTS FOR USE WITH THIS DOCUMENT.



FL #: **FL30848**

DATE: **10.25.19**

DWG. BY: **RV** | CHK. BY: **HFN**

SCALE: **NTS**

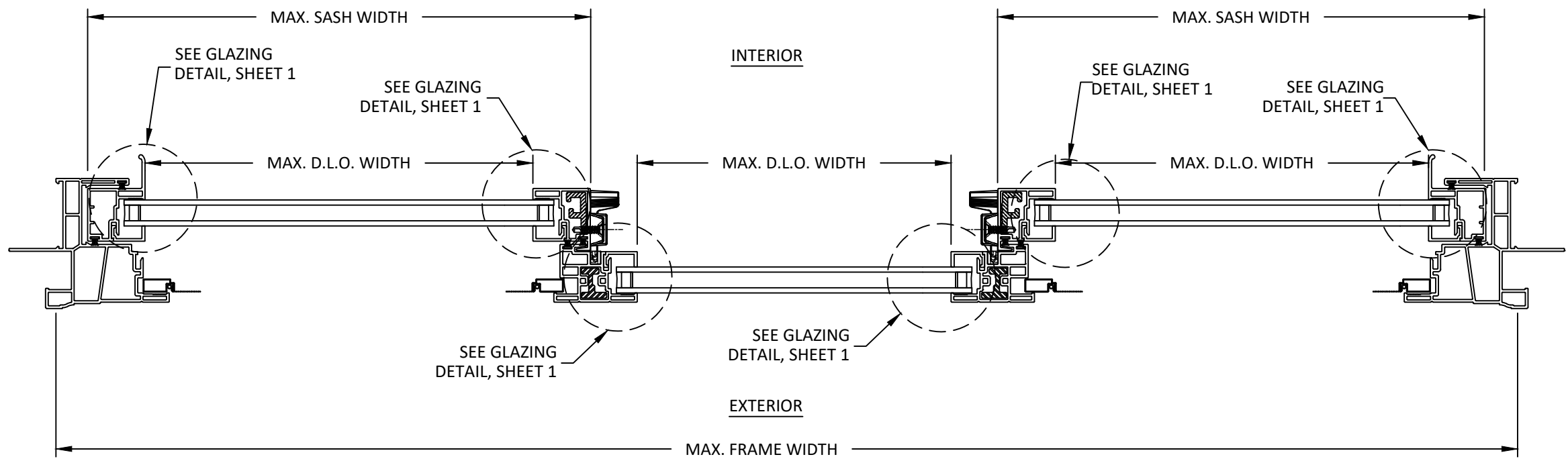
DWG. #: **CRF023**

SHEET **3**

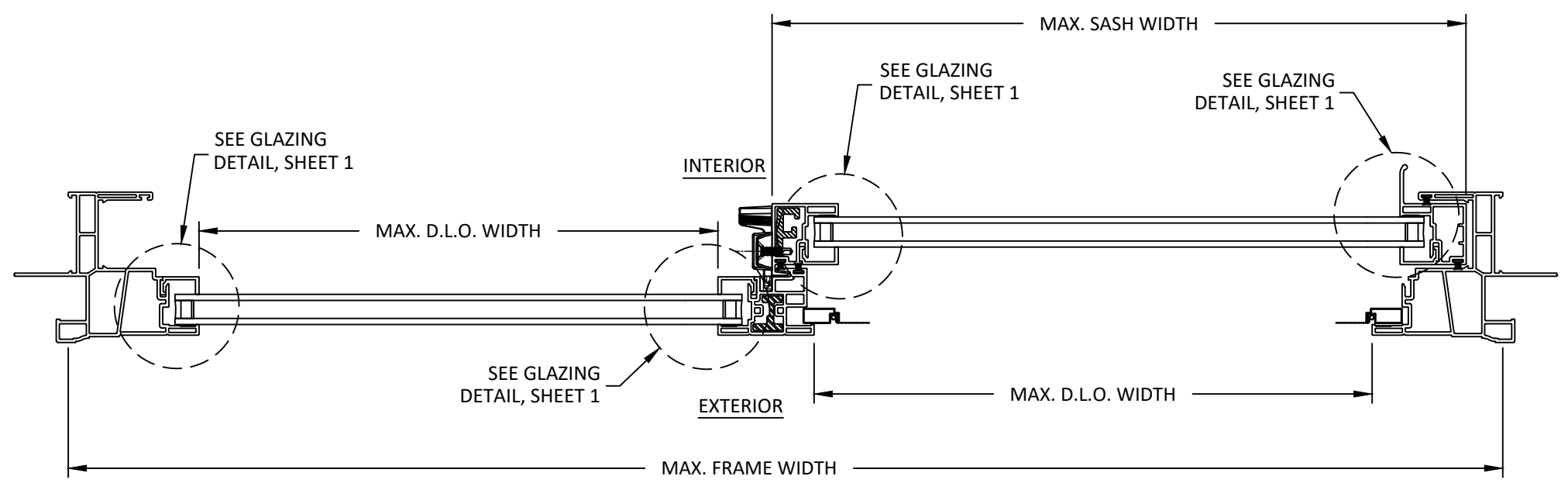
9/14/2021 10:31 AM
 s:\projects\crof\lic\trc-21-0805 - fbc submittal f116082 series 20 single hung window, f116080, f30848, f28822 series 30 picture window, f28797, f28822.dwg, f30848 - style 22 horizontal sliding window, crf023 2021-09-14.dwg



P.O. BOX 826
 MCCOMB, MS 39649
 PH.: 601-684-6121 FX: 601-783-3188



A
4 **HORIZONTAL SECTION**
 NAIL FIN INSTALLATION - XOX

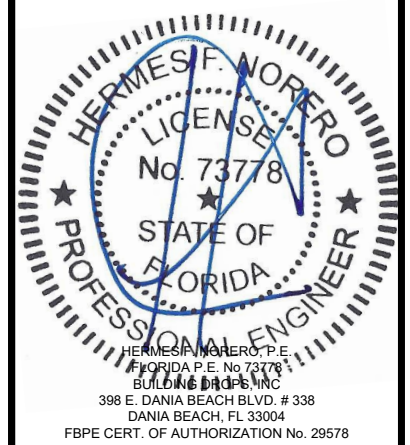


B
4 **HORIZONTAL SECTION**
 NAIL FIN INSTALLATION - OX

TITLE: **STYLE 22 HORIZONTAL SLIDING WINDOW (NON-HVHZ)/(NON-IMPACT)**
 HORIZONTAL SECTIONS
 PREPARED BY: **BUILDING DROPS, INC.**
 398 E. DANIA BEACH BLVD., STE. 338
 DANIA BEACH, FL 33004
 PH: (954) 399-8478
 FAX: (954) 744-4738
 WEB: www.buildingdrops.com

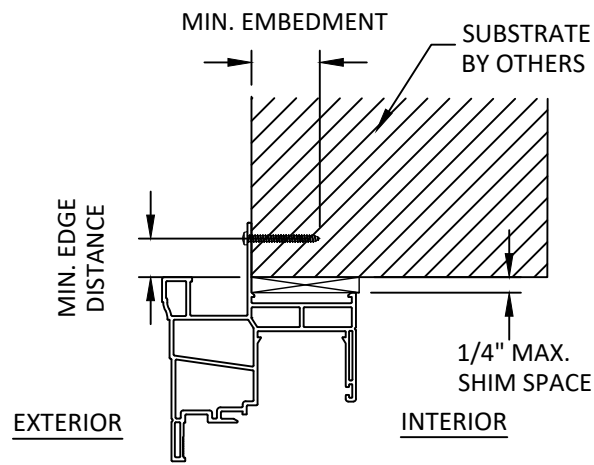
REMARKS	BY	DATE
NEW TESTING	AC	5/21
NEW CERTIFICATE	AC	8/21

THE INSTALLATION DETAILS DESCRIBED HEREIN ARE GENERIC AND MAY NOT REFLECT ACTUAL CONDITIONS FOR A SPECIFIC SITE. IF SITE CONDITIONS CAUSE INSTALLATION TO DEVIATE FROM THE REQUIREMENTS DETAILED HEREIN, A LICENSED ENGINEER OR ARCHITECT SHALL PREPARE SITE SPECIFIC DOCUMENTS FOR USE WITH THIS DOCUMENT.



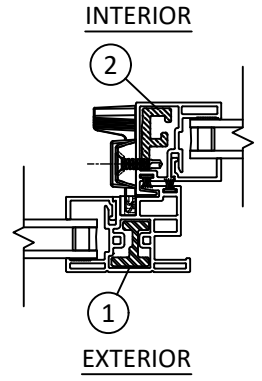
FL #: **FL30848**
 DATE: **10.25.19**
 DWG. BY: **RV** | CHK. BY: **HFN**
 SCALE: **NTS**
 DWG. #: **CRF023**
 SHEET
4
 OF 5

9/14/2021 10:31 AM
 s:\projects\crof\lic\fb-21-0805 - fbc submittal\116082-series 20 single hung window, 116080, f30848, f28822-dwg\116080 - f30848 - f28822-dwg\116082-series 20 picture window, f28797, f28822-dwg\1160848 - style 22 horizontal sliding window\crf023 2021-09-14.dwg



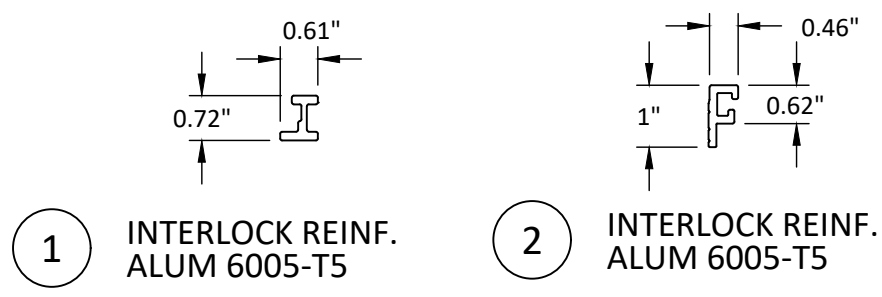
A
5 **VERTICAL SECTION**
 NAIL FIN (HEAD)

JAMB AND SILL HAVE SIMILAR DETAILS



B
5 **HORIZONTAL SECTION**
 INTERLOCK

REINFORCEMENT DETAILS



INSTALLATION NOTES:

1. ONE (1) INSTALLATION ANCHOR IS REQUIRED AT EACH ANCHOR LOCATION SHOWN.
2. THE NUMBER OF INSTALLATION ANCHORS DEPICTED IS THE MINIMUM NUMBER OF ANCHORS TO BE USED FOR PRODUCT INSTALLATION OF THE MAXIMUM SIZE LISTED.
3. INSTALL INDIVIDUAL INSTALLATION ANCHORS WITHIN A TOLERANCE OF ±1/2 INCH THE DEPICTED LOCATION & SPACING IN THE ANCHOR LAYOUT DETAILS (I.E., WITHOUT CONSIDERATION OF TOLERANCES). TOLERANCES ARE NOT CUMULATIVE FROM ONE INSTALLATION ANCHOR TO THE NEXT.
4. SHIM AS REQUIRED WITH LOAD BEARING SHIM(S) TO ACHIEVE A SQUARE AND PLUMB INSTALLATION. MAXIMUM ALLOWABLE SHIM STACK TO BE 1/4 INCH. SHIM WHERE SPACE OF 1/16 INCH OR GREATER OCCURS. SHIM(S) SHALL BE CONSTRUCTED OF HIGH DENSITY PLASTIC OR BETTER.
5. MINIMUM EMBEDMENT AND EDGE DISTANCE EXCLUDE WALL FINISHES, INCLUDING BUT NOT LIMITED TO STUCCO, FOAM, BRICK VENEER AND SIDING.
6. INSTALLATION ANCHORS AND ASSOCIATED HARDWARE MUST BE MADE OF CORROSION RESISTANT MATERIAL OR HAVE A CORROSION RESISTANT COATING.
7. INSTALLATION ANCHORS SHALL BE INSTALLED IN ACCORDANCE WITH ANCHOR MANUFACTURER'S INSTALLATION INSTRUCTIONS, AND ANCHORS SHALL NOT BE USED IN SUBSTRATES WITH STRENGTHS LESS THAN THE MINIMUM STRENGTH SPECIFIED BY THE ANCHOR MANUFACTURER.

ANCHOR SCHEDULE				
METHOD	SUBSTRATE	ANCHOR TYPE	MIN EMBEDMENT	MIN. EDGE DISTANCE
NAILING FIN	WOOD: MIN. SG = 0.55	#8 WOOD SCREW PAN HEAD	1.5"	0.75"
	METAL: 18 GAUGE STEEL, MIN. Fy = 33KSI	#8 SMS OR SELF DRILLING SCREW	3 THREADS MIN PENETRATION BEYOND METAL	0.50"

CROFT
 Est. 1920
 P.O. BOX 826
 MCCOMB, MS 39649
 PH.: 601-684-6121 FX: 601-783-3188

TITLE: STYLE 22 HORIZONTAL SLIDING WINDOW (NON-HVHZ)/(NON-IMPACT)
ANCHOR DETAILS, REINFORCEMENT DETAILS & INSTALLATION NOTES

PREPARED BY: BUILDING DROPS, INC.
 398 E. DANIA BEACH BLVD., STE. 338
 DANIA BEACH, FL 33004
 PH: (954)399-8478
 FAX: (954)744-4738
 WEB: www.buildingdrops.com

REMARKS	BY	DATE
NEW TESTING	AC	5/21
NEW CERTIFICATE	AC	8/21

THE INSTALLATION DETAILS DESCRIBED HEREIN ARE GENERIC AND MAY NOT REFLECT ACTUAL CONDITIONS FOR A SPECIFIC SITE. IF SITE CONDITIONS CAUSE INSTALLATION TO DEVIATE FROM THE REQUIREMENTS DETAILED HEREIN, A LICENSED ENGINEER OR ARCHITECT SHALL PREPARE SITE SPECIFIC DOCUMENTS FOR USE WITH THIS DOCUMENT.

HERMES F. MORERO
 LICENSED PROFESSIONAL ENGINEER
 No. 73778
 STATE OF FLORIDA
 398 E. DANIA BEACH BLVD. # 338
 DANIA BEACH, FL 33004
 FBPE CERT. OF AUTHORIZATION No. 29578

FL #: FL30848
DATE: 10.25.19
DWG. BY: RV **CHK. BY:** HFN
SCALE: NTS
DWG. #: CRF023
SHEET
 5
 OF 5